

## COB-2508

### 108-Inch COB All-in-One Conference Display



#### Description

This product features an ultra-clear and ultra-slim design, energy-efficient performance, wireless screen sharing, and video conferencing capabilities. It is designed to meet diverse meeting room application needs and is widely used in government, enterprise, finance, and other industries.

#### Features

- Customized UI system based on Android 13, supporting third-party APP installation.
- Supports wireless screen sharing across multiple operating systems, including Windows, macOS, iOS, and Android.
- Supports up to 9 split-screen displays simultaneously for enhanced multi-content collaboration and presentation.
- Supports wireless screen sharing dongles, compatible with Windows, macOS, Linux, and other terminal systems.
- Supports infrared multi-touch interaction (optional), enabling simultaneous writing and interactive operation by multiple users.
- Supports an infrared voice remote control, enabling voice-based control of the conference system.
- Supports H.264 and H.265 4K@60Hz ultra-HD video decoding for smooth playback of 4K UHD content.
- Supports ultra-wide viewing angles of 175° horizontally and 175° vertically, ensuring clear visuals

from different viewing positions.

- Supports customizable display settings such as color temperature, hue, and saturation to meet various application requirements.
- Built-in multiple display modes including Standard, Conference, Vivid, and Portrait, allowing one-touch switching between different visual styles.
- Supports one-touch eye protection mode, effectively filtering harmful blue light and reducing visual fatigue during prolonged viewing.
- Supports categorized management and storage of photos, videos, documents, and other files.
- Supports customized boot logo and startup animation settings.
- Built-in multiple wallpaper templates with support for custom wallpaper uploads.
- Features an ultra-lightweight and ultra-slim structure with a die-cast aluminum cabinet, approximately 35.5 mm thick and weighing around 4 kg per cabinet.
- Front maintenance design with hot-swappable modules for more efficient and convenient servicing.
- Features front and rear installation with foolproof interface design, supporting fast full-screen assembly, wall mounting, or mobile stand installation.

## Specifications

Model		COB-2508				
System Parameters	Pixel Pitch (mm)	0.78	0.93	1.25	1.56	1.87
	Pixel Configuration	True Pixel				
	Package Type	Flip-chip COB				
	Module Size (mm)	150 × 168.75		300 × 168.75		
	Driver IC	FM6569Q				
	Scan Mode	1/ 54	1/ 54	1/ 120	1/ 108	1/ 90
	Cabinet Size (mm)	600 × 337.5 × 35.5				
	Display Size (mm)	2400 × 1350				
	Overall Size with Stand (mm)	2410 × 2070				
	Native Resolution	3072 × 1728	2560 × 1440	1920 × 1080	1536 × 864	1280 × 720
	Audio	2 × 15W speakers				
	Installation Method	Mobile stand / Wall-mounted				
	Maintenance Method	Front maintenance				
	System Configuration	Control System	MEE410 + KT16E			MEE210
Operating System		Android 13			Android 11	
CPU Frequency		2.2 GHz			1.8 GHz	
CPU Cores		8			4	
GPU		Mali-G52			Mali-G52	
RAM		LPDDR4X 8GB			LPDDR4X 4GB	
ROM		64G			32G	

Optical Parameters	White Balance					
	Brightness	600 nits				
	Refresh Rate	≥3840 Hz				
	Contrast Ratio	20000:1				
	Grayscale	≥14-bit				
	Color Temperature	3000–15000 K adjustable				
	Viewing Angle (H/V)	175° / 175°				
Electrical Parameters	Lifespan	200,000 hours				
	Input Voltage	AC 100–240V, 50/60Hz				
	Max Power Consumption	~1200W	~1200W	~1120W	~1120W	~1040W
Environmental Conditions	Average Power Consumption	~480W	~480W	~448W	~448W	~416W
	Operating Temperature / Humidity	-10°C ~ +60°C / 10%–90% RH				
	Storage Temperature / Humidity	-20°C ~ +60°C / 10%–90% RH				

## Front/Rear Panel

### Interface Description

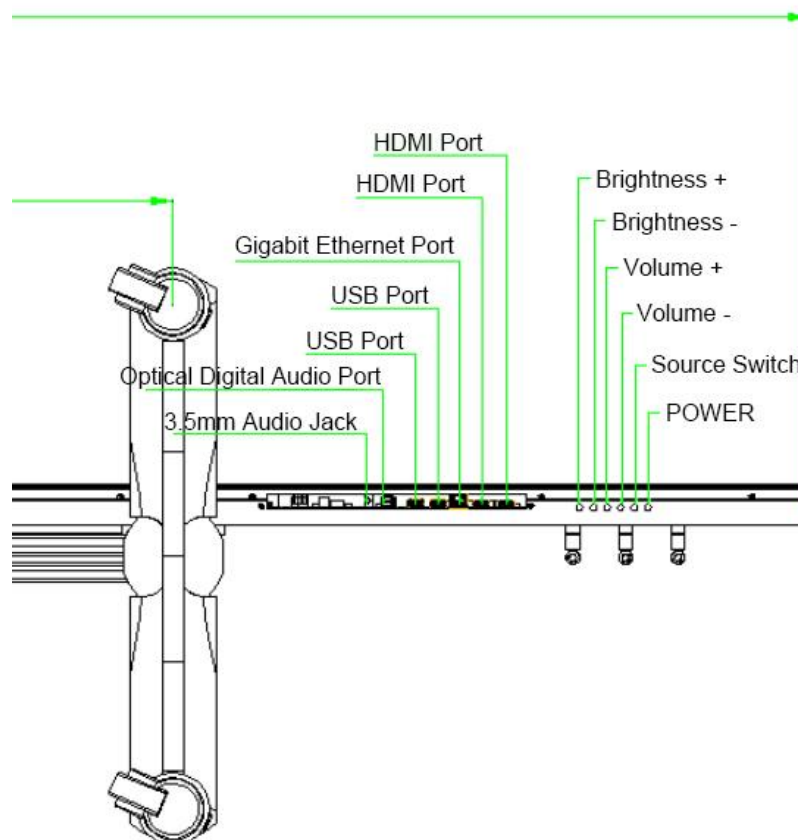


Figure 4 Bottom Input/Output Interfaces and Button Controls

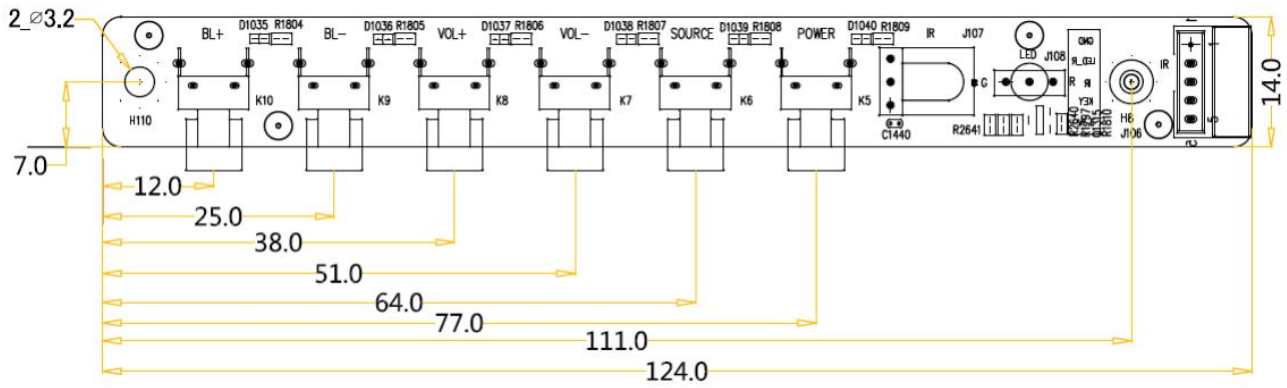


Figure 5 Button Module

The button module is used for hardware control of the conference system, including brightness adjustment, volume control, and one-touch power on/off.

All-in-One Conference Display Button Function Description								
No.	BL+	BL-	VOL+	VOL-	SOURCE	POWER	LED Status Indicator	
Description	Brightness +	Brightness -	Volume +	Volume -	Source Switch	Power On/Off	Blue light on (power on)	Red light on (standby)

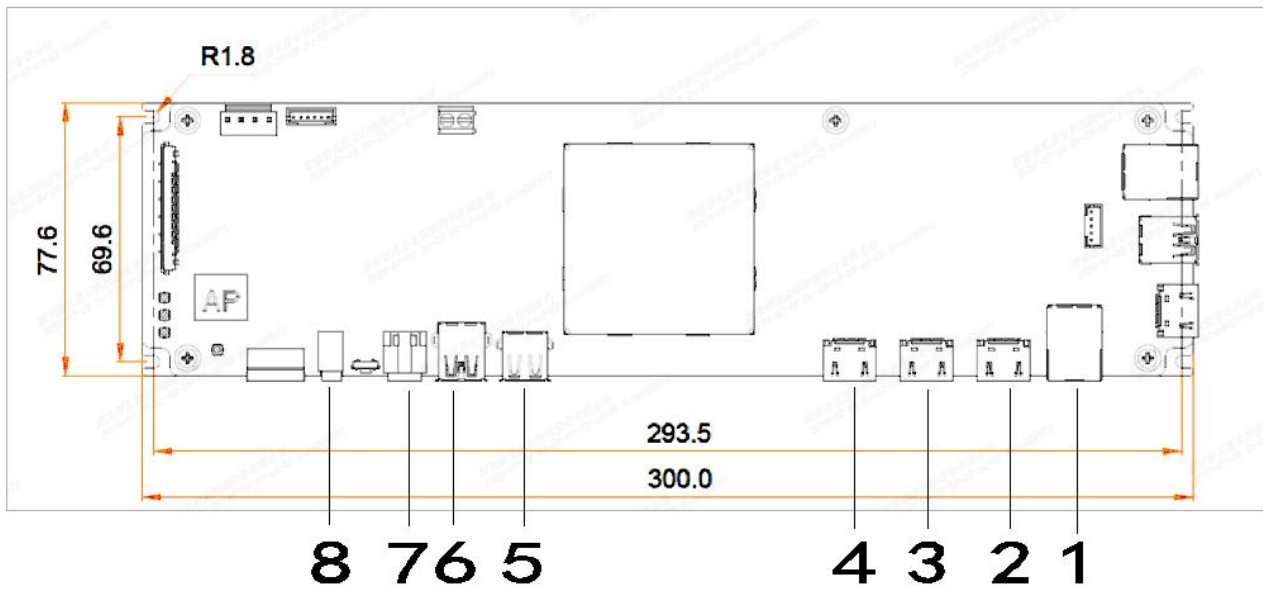


Figure 6 MME410 Interface Diagram

MEE4K Interface Description								
No.	1	2	3	4	5	6	7	8
Description	1G Ethernet Port	HDMI 2.0 Input		HDMI 2.0 Output	USB 2.0 Type-A	USB 3.0 Type-A	Optical Digital Audio Output	3.5mm Audio



Figure 7 MEE210 Interface Diagram

MEE210 Interface Description

No.	1	2	3	4	5	6	7
Description	HDMI 1.3 Input	HDMI 1.3 Output	1G Ethernet Port	USB2.0		Optical Digital Audio Output	3.5mm Audio

### Product Model Diagram

