

COB-9363

163-Inch COB All-in-One Conference Display



Description

This product features an ultra-clear and ultra-slim design, energy-efficient performance, wireless screen sharing, and video conferencing capabilities. It is designed to meet diverse meeting room application needs and is widely used in government, enterprise, finance, and other industries.

Features

- Customized UI system based on Android 13, supporting third-party APP installation.
- Supports wireless screen sharing across multiple operating systems, including Windows, macOS, iOS, and Android.
- Supports up to 9 split-screen displays simultaneously for enhanced multi-content collaboration and presentation.
- Supports wireless screen sharing dongles, compatible with Windows, macOS, Linux, and other terminal systems.
- Supports infrared multi-touch interaction (optional), enabling simultaneous writing and interactive operation by multiple users.
- Supports an infrared voice remote control, enabling voice-based control of the conference system.
- Supports H.264 and H.265 4K@60Hz ultra-HD video decoding for smooth playback of 4K UHD content.
- Supports ultra-wide viewing angles of 175° horizontally and 175° vertically, ensuring clear visuals from different viewing positions.
- Supports customizable display settings such as color temperature, hue, and saturation to meet various application requirements.
- Built-in multiple display modes including Standard, Conference, Vivid, and Portrait, allowing one-touch switching between different visual styles.

- Supports one-touch eye protection mode, effectively filtering harmful blue light and reducing visual fatigue during prolonged viewing.
- Supports categorized management and storage of photos, videos, documents, and other files.
- Supports customized boot logo and startup animation settings.
- Built-in multiple wallpaper templates with support for custom wallpaper uploads.
- Features an ultra-lightweight and ultra-slim structure with a die-cast aluminum cabinet, approximately 35.5 mm thick and weighing around 4 kg per cabinet.
- Front maintenance design with hot-swappable modules for more efficient and convenient servicing.
- Features front and rear installation with foolproof interface design, supporting fast full-screen assembly, wall mounting, or mobile stand installation.

Specifications

| Model | | COB-9363 | | | | |
|----------------------|------------------------------|---------------------------------|--------------|----------------|-----------|-------------|
| System Parameters | Pixel Pitch (mm) | 0.78 | 0.93 | 1.25 | 1.56 | 1.87 |
| | Pixel Configuration | True Pixel | | | | |
| | Package Type | Flip-chip COB | | | | |
| | Module Size (mm) | 150 × 168.75 | 300 × 168.75 | | | |
| | Driver IC | FM6569Q | | | | |
| | Scan Mode | 1/ 54 | 1/ 54 | 1/ 120 | 1/ 108 | 1/ 90 |
| | Cabinet Size (mm) | 600 × 337.5 × 35.5 | | | | |
| | Display Size (mm) | 3600*2025 | | | | |
| | Overall Size with Stand (mm) | 3610*2745 | | | | |
| | Native Resolution | 4608*2592 | 3840*2160 | 2880*1620 | 2304*1296 | 1920*1080 |
| | Audio | 2 × 15W speakers | | | | |
| | Installation Method | Mobile stand / Wall-mounted | | | | |
| | Maintenance Method | Front maintenance | | | | |
| System Configuration | Control System | H5 | | MEE410 + KT16E | | MEE210 |
| | Operating System | Windows | | Android 13 | | Android 11 |
| | CPU Frequency | | | 2.2 GHz | | 1.8 GHz |
| | CPU Cores | | | 8 | | 4 |
| | GPU | Subject to project requirements | | Mali-G52 | | Mali-G52 |
| | RAM | | | LPDDR4X 8GB | | LPDDR4X 4GB |
| | ROM | | | 64G | | 32G |
| Optical Parameters | White Balance | | | | | |
| | Brightness | 600 nits | | | | |
| | Refresh Rate | ≥3840 Hz | | | | |
| | Contrast Ratio | 20000:1 | | | | |

| | | | | | | |
|--------------------------|----------------------------------|----------------------------|-------|-------|-------|-------|
| | Grayscale | ≥14-bit | | | | |
| | Color Temperature | 3000–15000 K adjustable | | | | |
| | Viewing Angle (H/V) | 175° / 175° | | | | |
| | Lifespan | 200,000 hours | | | | |
| Electrical Parameters | Input Voltage | AC 100–240V, 50/60Hz | | | | |
| | Max Power Consumption | ~2700 | ~2700 | ~2520 | ~2520 | ~2340 |
| | Average Power Consumption | ~1080 | ~1080 | ~1008 | ~1008 | ~936 |
| Environmental Conditions | Operating Temperature / Humidity | -10°C ~ +60°C / 10%–90% RH | | | | |
| | Storage Temperature / Humidity | -20°C ~ +60°C / 10%–90% RH | | | | |

Front/Rear Panel

Interface Description

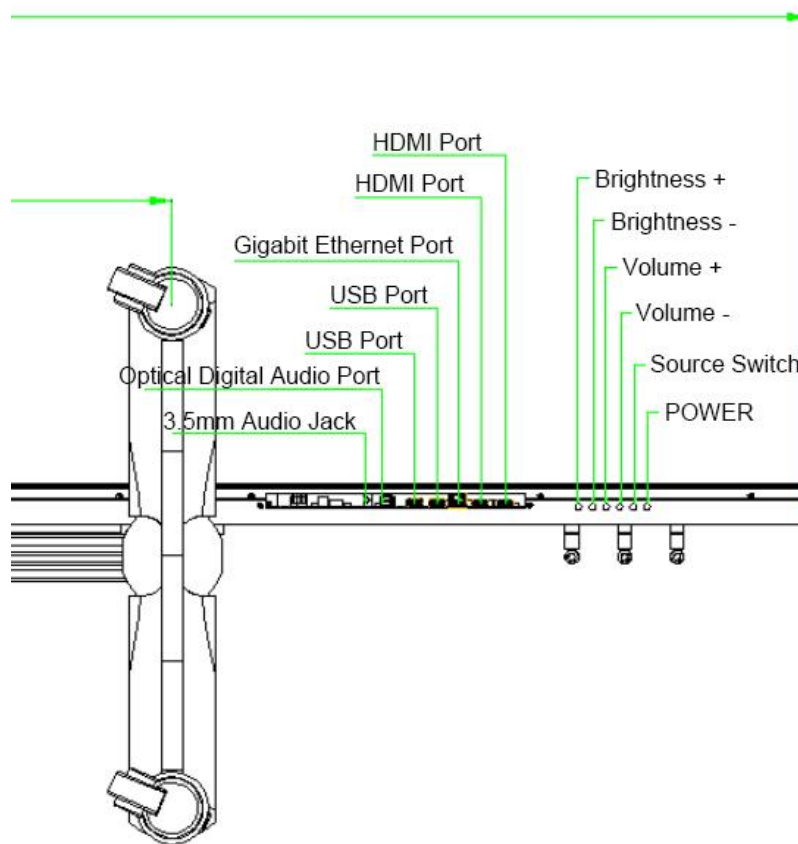


Figure 4 Bottom Input/Output Interfaces and Button Controls

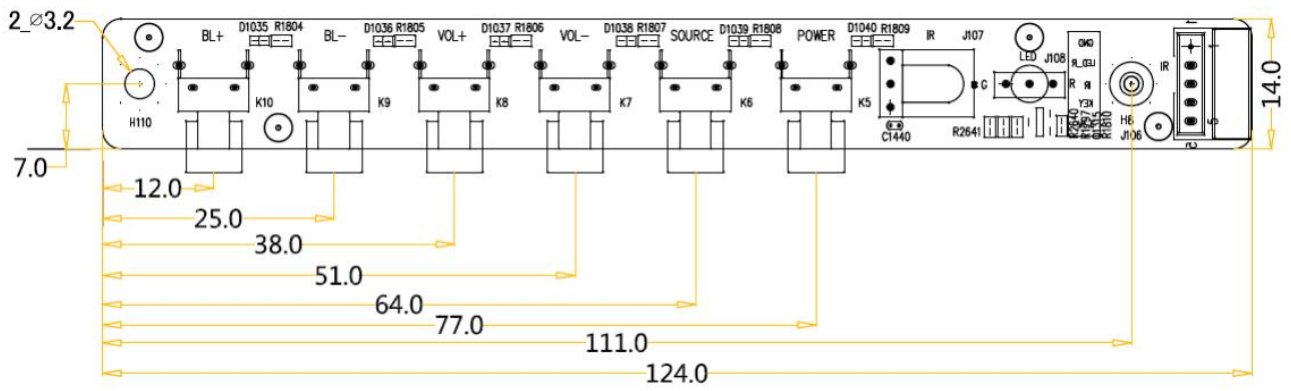


Figure 5 Button Module

The button module is used for hardware control of the conference system, including brightness adjustment, volume control, and one-touch power on/off.

| All-in-One Conference Display Button Function Description | | | | | | | | |
|---|--------------|--------------|----------|----------|---------------|--------------|--------------------------|------------------------|
| No. | BL+ | BL- | VOL+ | VOL- | SOURCE | POWER | LED Status Indicator | |
| Description | Brightness + | Brightness - | Volume + | Volume - | Source Switch | Power On/Off | Blue light on (power on) | Red light on (standby) |

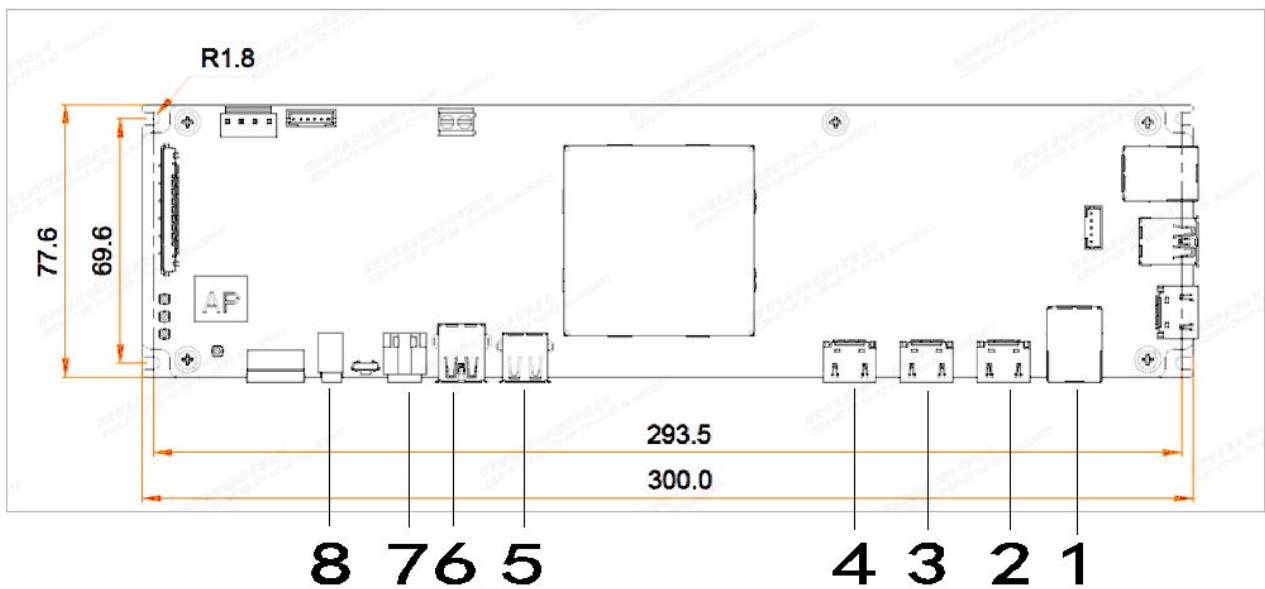


Figure 6 MME410 Interface Diagram

| MEE4K Interface Description | | | | | | | | |
|-----------------------------|------------------|----------------|---|-----------------|----------------|----------------|------------------------------|-------------|
| No. | 1 | 2 | 3 | 4 | 5 | 6 | 7 | 8 |
| Description | 1G Ethernet Port | HDMI 2.0 Input | | HDMI 2.0 Output | USB 2.0 Type-A | USB 3.0 Type-A | Optical Digital Audio Output | 3.5mm Audio |



Figure 7 MEE210 Interface Diagram

MEE210 Interface Description

| No. | 1 | 2 | 3 | 4 | 5 | 6 | 7 |
|-------------|----------------|-----------------|------------------|--------|---|------------------------------|-------------|
| Description | HDMI 1.3 Input | HDMI 1.3 Output | 1G Ethernet Port | USB2.0 | | Optical Digital Audio Output | 3.5mm Audio |

Product Model Diagram

