

**D5811 D5812 D5813 D5814 D5814L**

**D5816 D5841 D5842 D5843 D5844 D5844L**

**True Diversity Wireless Microphone**



**D5816** UHF Wireless Microphone System for 4 Microphones



**D5811**

Handheld Wireless MIC



**D5812**

Lavalier Wireless MIC



**D5813**

Headset Wireless MIC



**D5814**

Battery Desktop Wireless MIC



**D5841** UHF Wireless  
Microphone System+4  
Handheld Wireless MICs



**D5842** UHF Wireless  
Microphone System+4  
Lavalier Wireless MICs+4  
Waistband Transmitters



**D5843** UHF Wireless  
Microphone System+4  
Headset Wireless MICs+4  
Waistband Transmitters



**D5844** UHF Wireless  
Microphone System+4 Battery  
Desktop Wireless MICs



**D5814L**

Rechargeable Desktop Wireless MIC



**D5844L** UHF Wireless Microphone System+4 Rechargeable  
Desktop Wireless MICs

This product is a professional wireless microphone system. D5816 is the wireless microphone receiver, which can be combined with several kinds of transmitters to form a wireless microphone system. The combination set includes D5841 (UHF Wireless Microphone System+4 Handheld Wireless Microphones), D5842 (UHF Wireless Microphone System+4 Clip Wireless Microphones+4 Waistband Transmitters), D5843 (UHF Wireless Microphone System+4 Headset Wireless Microphones+4 Waistband Transmitters), D5844 (UHF Wireless Microphone System+4 Battery Desktop Wireless Microphones), and D5844L (UHF Wireless Microphone System+4 Rechargeable Desktop Wireless Microphones).

## Features

- 4-channel PLL design.
- UHF200 channel PLL digital lock automatic communication function.
- Adopt IR frequency pairing.
- With display screen (to display frequency, channel, squelch, level, etc.).
- With volume control for each channel.
- AF output (using the “XLR” socket for separate output, and using the “XLR” socket and microphone interface for mixed output).

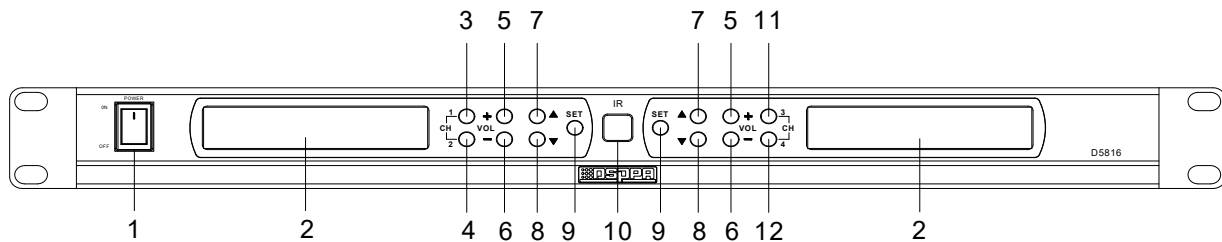
## Specifications

System Index	Parameters	
Frequency Range	632-695.25MHz	
Modulation Mode	Broadband FM	
Adjustable Range	60MHz	
Number of Channels	200	
Channel Interval	250KHz	
Frequency Stability	Within $\pm 0.005\%$	
Dynamic Range	88dB	
Maximum Frequency Deviation	$\pm 45\text{KHz}$	
Audio Frequency Response	120Hz-16KHz ( $\pm 3\text{dB}$ )	
SNR	$>73\text{dB}$	
Distortion	$\leq 1\%$	
Working Temperature	$-10^{\circ}\text{C} \sim +40^{\circ}\text{C}$	
Effective Range	150-200m (in open environment)	
Package Dimensions (L×W×H)	530×335×220mm	
D5841 Gross Weight	6.2kg	
D5842/D5843 Gross Weight	5.2kg	
D5844 Gross Weight	6.5kg	
Receiver	Wireless Interface	BNC/50Ω
	Sensitivity	$\leq -95\text{dBm}$
	Spur Suppression	$\geq 75\text{dB}$
	Display Method	Display Screen
	Working Power	DC12V ,600mA
	Package Dimensions (L×W×H)	530×335×100mm
	Machine Dimensions	430×176×44mm
	Gross Weight	3.9kg

	Net Weight	2.3kg
Transmitter	Antenna Method	1/4 wave whip antenna for the waistband transmitter, and built-in onboard antenna for the handheld microphone.
	Output Power	High power 14dBm; low power 6dBm
	Spur Suppression	-60dB
	Power Supply	2 AA 1.5V alkaline batteries
	Endurance	More than 10 hours at 14dBm; more than 15 hours at 6dBm.
	Desktop MIC Rod Length	420mm
	Display Method	Display Screen
	Handheld MIC Dimensions (Maximum Diameter × Length)	∅ 50×265mm (Handheld part diameter ∅ 34~38mm)
	Waistband Transmitter Dimensions	110×64×25mm (excluding antenna length, 80mm more if included)
	Desktop MIC Dimensions	151×100×55mm
	Net Weight of Desktop MIC	0.45kg
	Net Weight of Handheld MIC	0.45kg
	Net Weight of Waistband Transmitter	0.1kg

## Front / Rear Panel

### Front Panel of Receiver



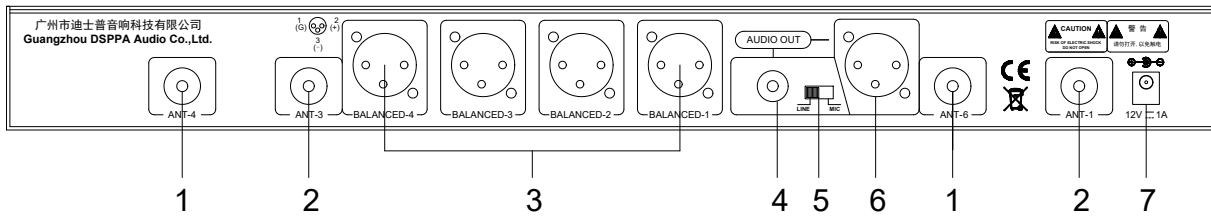
- ① Power Switch (POWER)
- ② Display Screen
- ③ Channel 1 Selection Button and Mode Switching Button
  - Short press the button to select the channel 1.
  - Press and hold the button CH1/2 to enter the mode switching state, and a string of numbers (e.g.: 999 999) will be displayed in the channel area in the upper left corner of the display screen. Work with the channel 2 button to switch to mode 1 or mode 2. Press and hold the button again to exit the mode switching state. **(Please refer to “Receiver Instructions” below for details.)**
- ④ Channel 2 Selection Button and Mode Switching Button
  - Short press the button to select the channel 2.
  - Press and hold the channel 1 button to enter the mode switching state, and at this time short press the channel 1 or channel 2 button to switch to mode 1 or mode 2. **(Please refer to “Receiver Instructions” below for details.)**
- ⑤ Volume Control (+)
- ⑥ Volume Control (-)
- ⑦ Frequency Up Button
- ⑧ Frequency Down Button
- ⑨ Set Button (SET)
- ⑩ IR Frequency Pairing (used with the “SET” button to

transmit the channel parameters to the transmitter)

⑫ Channel 4 Selection Button

⑪ Channel 3 Selection Button

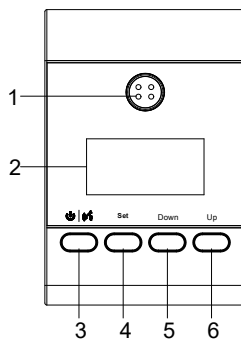
### Rear Panel of Receiver



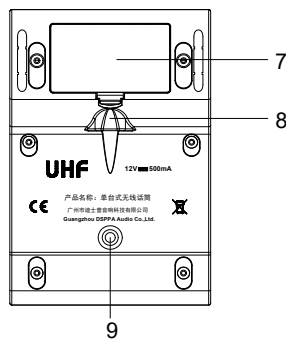
- ① 650M-700M Antenna Input Port
- ② 630M-670M Antenna Input Port
- ③ AF Channel 1/2/3/4 Output Port (using "XLR" socket, for separate output of 4-channel signals)
- ④ AF Mixing Output Microphone Interface (Mix four signals for output)

- ⑤ Mixing Output Amplitude Adjustment Switch (Only for "MIXOUT" microphone interface, set to LINE for 60mV, set to MIC for 7mV)
- ⑥ AF Mixing Output XLR Port (Mix four signals for output)
- ⑦ DC IN (DC12V)

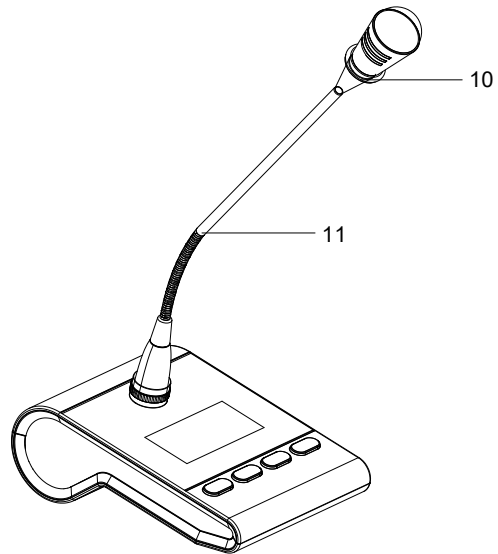
### Desktop Wireless MIC



Front View



Bottom View

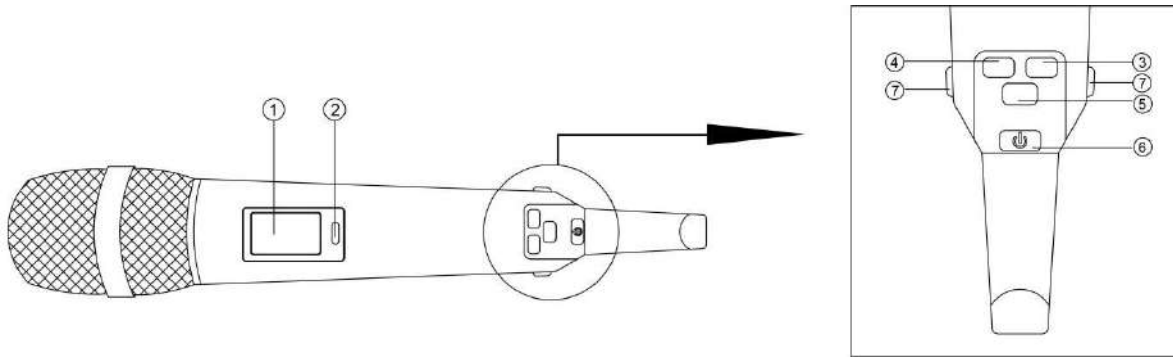


3D Image

- ① 4-pin socket for connecting the MIC rod and the base
- ② Display Screen
- ③ Power Button/Speech Button
- ④ SET Button
- ⑤ DOWN Button
- ⑥ UP Button

- ⑦ Battery Cover (4 AA Batteries)
- ⑧ DC12V IN (The rechargeable one has a TYPE-C charging interface and an indicator light)
- ⑨ IR Frequency Pairing Window
- ⑩ MIC Light Ring
- ⑪ MIC Rod

## Handheld Wireless MIC



1. Display Screen (to display the channel frequency, signal channel and battery power)
2. IR Frequency Pairing (used with the "SET" button of the receiver, to transmit the channel parameters to the transmitter.)
3. UP Button (to set the volume, switch between high and low power, switch between lock and unlock state)
4. DOWN Button (to set the volume, switch between high and low power, switch between lock and unlock state)
5. Menu Button (can switch among the volume VOLO5, PA reception enhancement, and LOCK three function interfaces. Press the UP or DOWN button in the current screen to adjust the parameters of the current function.)
6. POWER Button (in OFF state, press once to turn it on; in ON state, press and hold for 3 seconds to turn it off.)
7. Battery Retainer Button (press the buttons on both sides at the same time with your left hand, and slightly pull the bottom of the microphone with your right hand to pull out the battery box.)

## Portable Transmitter

1. State LED
2. Gain Control
3. MIC IN
4. Antenna (1/4 wave whip antenna)
5. Display Screen (to display the current working channel and battery power)
6. POWER Button
7. IR Frequency Pairing: used with the "SET" button to transmit the channel parameters to the transmitter.
8. Battery Box
9. Waistband (used to fix a mini microphone at your waist)

