

## D6243 / D6244

### Desktop Speaking Chairman / Delegate Unit



#### Description

The D6243 / D6244 is a desktop digital conference unit designed for pure speech applications, offering a reliable and user-friendly solution for conference environments. It features a standard gooseneck microphone with a cardioid electret condenser design and a dual-color indicator ring for clear audio pickup and intuitive status indication. The unit includes a built-in high-fidelity speaker that automatically mutes when the microphone is activated, effectively reducing acoustic feedback. A 3.5mm stereo headphone jack with adjustable volume provides flexible monitoring, while support for key-based sign-in, unique ID management, and automatic camera tracking ensures efficient system control when connected to the host or PC software. Powered by the host via a dedicated 8-pin DIN interface, it delivers stable performance and supports self-diagnosis for reliable operation. With excellent resistance to mobile phone interference and flexible chairman control features, the D6243/D6244 is well suited for professional conference applications.

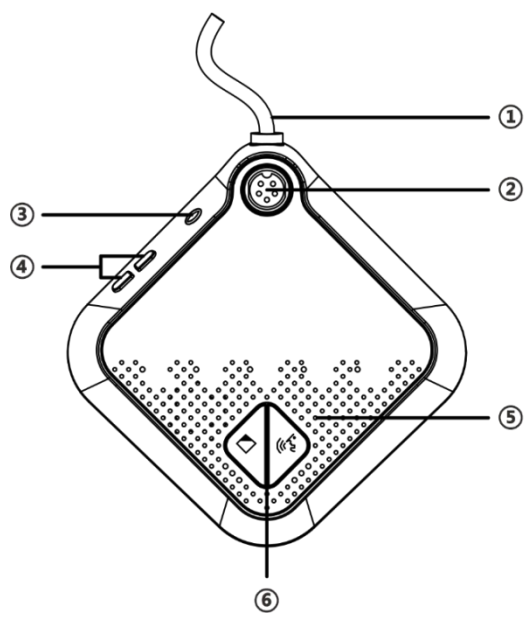
#### Features

- Conference unit with pure speech.
- Comes with a dedicated 2-meter 8-core DIN high-density cable with an aviation male connector.
- Cardioid electret condenser microphone with dual-color indicator ring (red/green).
- Standard gooseneck microphone included.
- The microphone stem can be detached during recess periods, facilitating equipment maintenance and storage.

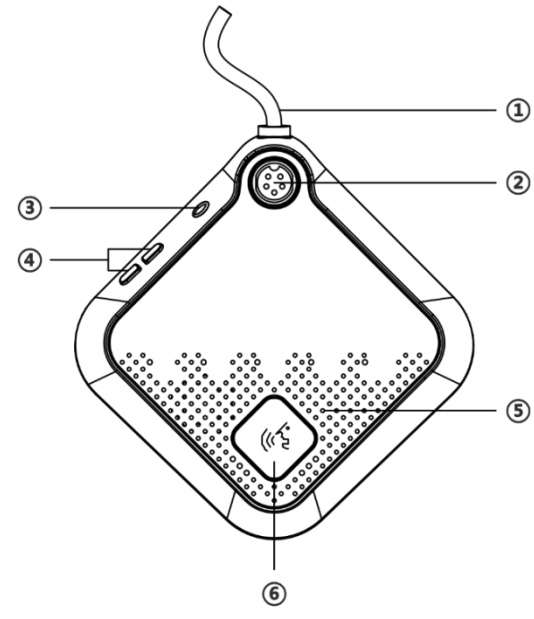
- Features an internal-magnet high-fidelity speaker that is automatically muted when the microphone is activated, reducing the risk of acoustic feedback.
- The 3.5mm stereo headphone jack allows connection to headphones, with adjustable headphone volume.
- Excellent resistance to mobile phone interference.
- Equipped with a microphone on/off button, the chairman unit has a chairman priority button.
- Supports key-based sign-in function.
- Each conference unit has a unique ID number.
- Supports automatic camera tracking when used with a camera and configured via the digital conference system host or PC control software.
- When connected to the control host, the unit supports self-diagnosis.
- The unit is a passive device powered by the system host with an input voltage of 24V.
- Microphone activation tone with configurable on/off setting.
- The chairman unit features priority and podium modes configurable through the host.
- The chairman unit can approve delegate requests to speak.
- The chairman unit can be activated freely without limitation on the number of active microphones.
- The chairman unit has the priority function of having full control of the order of the Conferences.
- Its connection position is not restricted.
- Connection in "hand-in-hand" "T" and "+" modes.

## Specifications

Model		D6243 / D6244
Structure Type		Desktop Design
Effective Frequency Range of Gain Limit ( $\pm 3\text{dB}$ )	Unit A to Unit B Monitor	80Hz-12kHz
	Host LINE to Unit Monitor	80Hz-16kHz
Unit to Host LINE OUT		80Hz-16kHz
Speaker Power		1.5W
Static Power Consumption		<1W
Max. Power Consumption		4W
SNR		>80dB
Crosstalk Attenuation		>80dB
Harmonic Distortion		<0.3%
Headphone Output		9dBu, 8-32 $\Omega$ , 3.5mm
Working Power		DC24V Power Supplied by the Host
Unit Interface		8-pin DIN Dedicated Interface
MIC	Microphone Type	Cardioid Electret Condenser Type
	Input Sensitivity	-45 $\pm$ 2dBV/Pa
	Frequency	50Hz-16kHz
	Max. SPL	115dB
Product Dimension		163 $\times$ 167 $\times$ 40mm
Package Size		570 $\times$ 323 $\times$ 110mm
Net Weight		0.8kg
Gross Weight		2.0kg



Top View of Chairman Unit



Top View of Delegate Unit

1. Comes with a dedicated 2-meter 8-core DIN high-density cable with an aviation male connector.
2. 5-pin screw-type microphone connector
3. 3.5mm Headphone Jack
4. Volume keys for adjusting the headphone and speaker volume.
5. Built-in speaker; it mutes automatically when the microphone is activated or a headphone is connected.
6. Microphone Switch Button & Indicator Ring.

