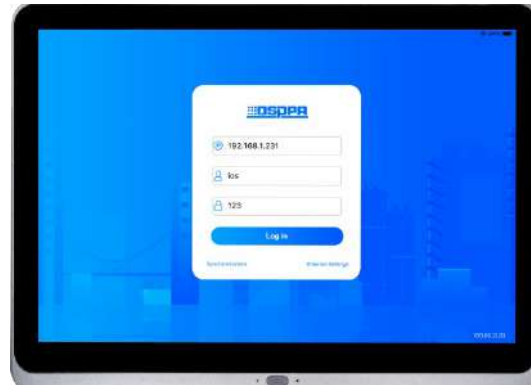


D6617W

Wireless Central Control Color Touch Screen



Description

The device is connected to the central control system for communication. With a 10.1" LCD screen and user-friendly human-machine interface, it can handle more programmable objects on the operation interface, track the state of controlled devices of the central control system in real time and view the configuration information of the board.

Features

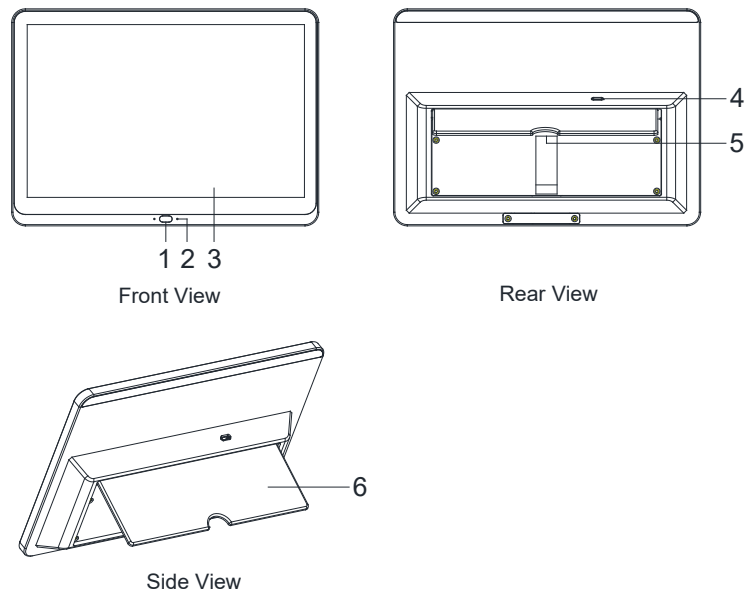
- 10.1" LCD screen, with a resolution of 720×1280.
- Support one-key synchronization and updating of device information on the PC software side, enabling quick configuration of the operating environment on the mobile side without cumbersome procedures.
- Support real-time viewing of the state and channel state of each device, allowing more intuitive and easier operation.
- Support the control and echo of each terminal device.
- Control mode: wireless connection.
- Power supply mode: Lithium battery powered, charged by Type-C interface.
- Support embedded and desktop mounting methods.

Specifications

| Model | D6617W |
|-----------------------|--|
| CPU | ARM Cortex-A7, dominant frequency 1.3GHz, 4 cores, 1GB DDR RAM, 4GB EMMC FLASH |
| Communication Mode | UDP |
| Power Consumption | 5W |
| Power Supply | +48V PoE |
| Operating Temperature | -20-60℃ |

| | |
|-------------------------------|---------------------|
| Mounting Method | Desktop or embedded |
| Package Dimensions (L×W×H mm) | 360×230×90mm |
| Machine Dimensions (L×W×H mm) | 241×171×28mm |
| Desktop Cut-Out Size | 222×97mm |
| Desktop Countersink Size | 172×242mm |
| Gross Weight | 1.8kg |
| Net Weight | 1kg |

Front / Rear Panel



1. Power Button

Press and hold the button to power on, power off or restart. Press the button once to turn on/off the screen.

2. Charging Indicator

The indicator light is flashing green when charging, and normally green when fully charged.

3. 10" Touch LCD Screen

4. Debugging Interface

Connect a Type-C OTG adapter and install the operating software through a USB flash drive.

5. Type-C Charging Port

Connected with a Type-C cable for charging. The indicator light is flashing green when charging, and normally green when fully charged. The charging time is about 3 hours, and the battery life is 6 hours.

6. Desktop Bracket

The angle can be adjusted freely and set as needed.