

## D7121 D7122

### Desktop Speaking & Voting Chairman/Delegate Unit



D7121

Desktop Speaking & Voting Chairman Unit



D7122

Desktop Speaking & Voting Delegate Unit

#### Description

The conference unit adopts cardioid directional condenser microphone, built-in internal magnetic speaker, earphone jack, and has microphone turn-on indicator ring and button light switch indication. It has the function of voice switch in voice control mode, and features built-in digital high-speed processor and high-definition audio circuit. The unit with LCD condenser touch screen is operated by touch, and the display shows the identity and state of the chairman unit/VIP unit/normal unit. It has several modes of operation, with echo cancellation, howling suppression, background noise silence, and more.

#### Features

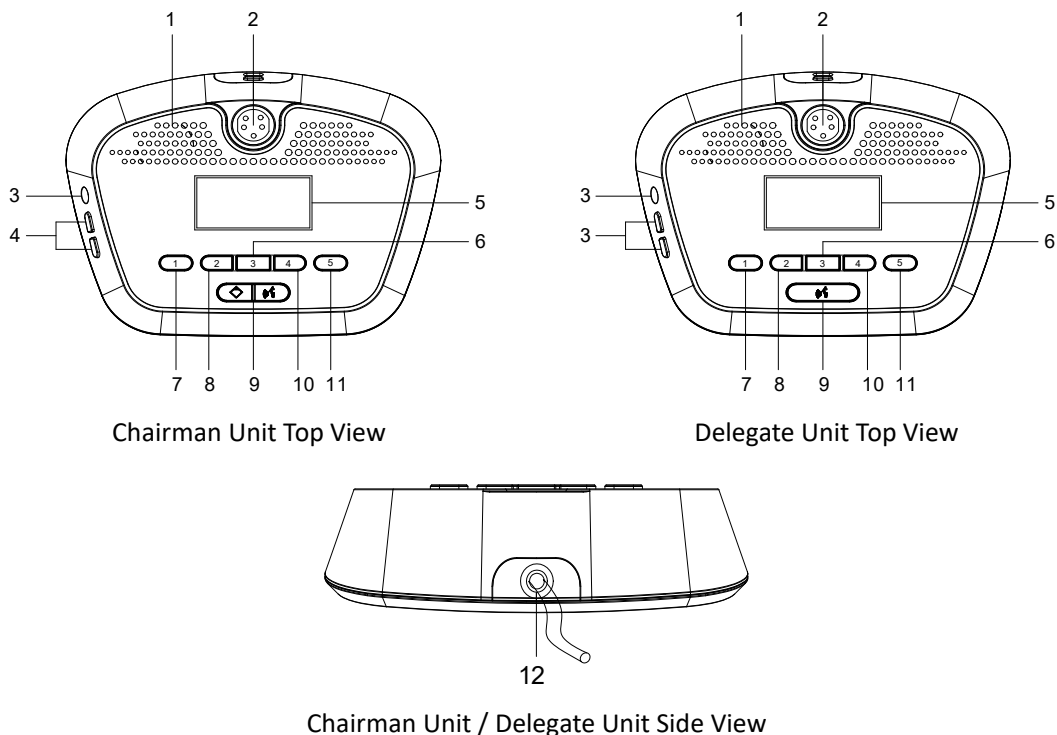
- A conference-speaking unit that combines the speaking and voting functions into one.
- Comes with a 2-meter dedicated high-density cable and an RJ45 universal network plug.
- The elector core type pointing capacitive pickup with a two-color indicator (red/green). It is red when speaking, and it is green when applying for speaking.
- The standard microphone rod is aluminum alloy one-piece square microphone rod, 186mm in length. Other options: gooseneck microphone rod, oval microphone rod, square microphone rod with analog backup, square microphone rod with dual mics and square microphone rod with dual mics and analog backup. See "Chapter 5 Accessories" below for details.
- The microphone rod can be dismantled during the adjournment for maintenance and storage.
- Features an internal magnetic high-fidelity speaker that automatically mutes the sound when the microphone is turned on, making it difficult to howl.
- The 3.5mm stereo headphone jack connects to the headset and the headset volume is adjustable.
- Super anti-interference ability toward mobile phones.
- Equipped with microphone switch key, and 5 voting keys, and chairman unit has chairman priority keys.

- With sign-in function by pressing the button.
- Each Conference unit has a unique ID number.
- High-brightness 2.4" OLED screen, real-time display when the unit is working:
  - ✓ The ID number of the conference unit, the number of applicants, the voting results, the number of people checking in, and various operational information;
  - ✓ Chinese Simplified and English bilingual display unit information.
- Together with the camera, the camera can be automatically tracked when set up using the digital Conference system host or PC control software.
- In conjunction with the control panel, the unit has a self-detection function. The items tested are: Keys, microphone, LED indicators, LCD screen, and internal speaker.
- The unit is a passive device that is powered by the system host or POE switch, and the input voltage is +48V.
- When the microphone is turned on, the local speaker automatically switches off to prevent sound playback.
- The microphone is switched on with a tone that sets the switch status.
- The chairman unit has a priority function (all delegate units can be muted or turned off), and a lectern mode (the chairman unit is always on) with the host settings.
- The Chair module has the function of approving a delegate's request to speak.
- The chairman unit can be opened freely without being restricted by the number of speakers.
- The Chairman Unit has the priority function of having full control of the order of the Conferences.
- The Chairman Unit is connected in an unrestricted location.

## Specifications

Model		D7121/D7122
Structure Type		Desktop
Effective Frequency Range of Gain Limit ( $\pm 3\text{dB}$ )	Unit A to Unit B	50Hz-14kHz
	Host Line to Unit	30Hz-18kHz
	Unit to Host Line	40Hz-16kHz
Speaker Power		1.5W
Static Power Consumption		<6W
Maximum Power Consumption		8W
SNR		>70dB
Harmonic Distortion		<0.5%
Headset Output		9dBu, 8-32 $\Omega$ , 3.5mm
Working Power		Host +48V power supply or +48V PoE Switch
Unit Interface		Network interface
MIC	Microphone Type	Electret cardioid condenser
	Sensitivity	-30dBV/pa
	Input Impedance	2k $\Omega$
	Equivalent Noise	20dB(SPL)
	MAX. SPL.	125dB(THD<3%)
Package Dimensions		485×280×120mm(2 PCS/Per Carton)
Machine Dimensions		175×133×46mm
Gross Weight		2.4 kg
Net Weight		0.62 kg

## Buttons and Indication Functions



### 1. Built-in Speaker Unit

- The volume used to output the sound of other units speaking and auxiliary input audio can be adjusted by this unit or by the conference head unit and the remote control software.
- The speaker is automatically muted when the microphone is turned on and the headset is plugged in.

### 2. Microphone Connector

- Dismantle 5-pin screw microphone connector.

### 3. Headphone Jack

- Connect it with a 3.5mm plug.

### 4. Volume Adjustment Button

- Used to adjust the volume of headphone and speaker.

### 5. 2.4" High Brightness OLED Display Screen

- Real-time display of the unit's ID number, operating status, voting results and operation information.

### 6. Button "1"

- For the rating operation with PC software, please refer to the PC software user manual for details.

### 7. Button "2"

- Selection of display language, voting operation function buttons.
- Cooperate with PC software for rating operation.

### 8. Button "3"

- Microphone status viewing, voting operation, select display language operation function button;
- Cooperate with PC software for rating operation.

### 9. Button "4"

- Selection of display language, vote operation, return operation function buttons;
- Cooperate with PC software for rating operation.

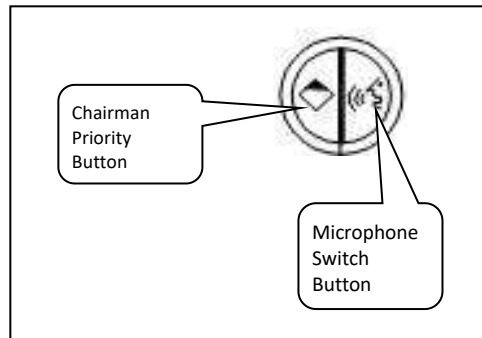
### 10. Button "5"

- End/Return Button for voting operation;

- Cooperate with PC software for rating operation.

#### 11. Microphone Switch Button and Indicator Light

- On/off button of delegate unit microphone / button for speaking request and indicator light. The indicator lights up when the key is pressed to switch on the microphone; flashes when the button is pressed to make a speech request, when the unit is renumbered and when the camera tracking is positioned.
- Chairman unit microphone switch button and chairman priority function keys and indicator lights.



- The indicator lights up when switching on the microphone, flashes when the unit is renumbered and when the camera tracking is positioned.
- Press the Chairman priority button to mute or turn off the working unit.

#### 12. RJ45 Network interface cable

The unit can realize functions such as power supply, audio transmission and control by connecting to the host or PoE +48V switch. The length of this cable is 2 meters, and it needs to be connected with an extension connector after it exceeds 2 meters (It is recommended to be no longer than 80 meters), as shown in the figure below.

