

D7125 D7126

Desktop IP Conference System Discussion Voting Chairman/ Delegate Microphone



Description

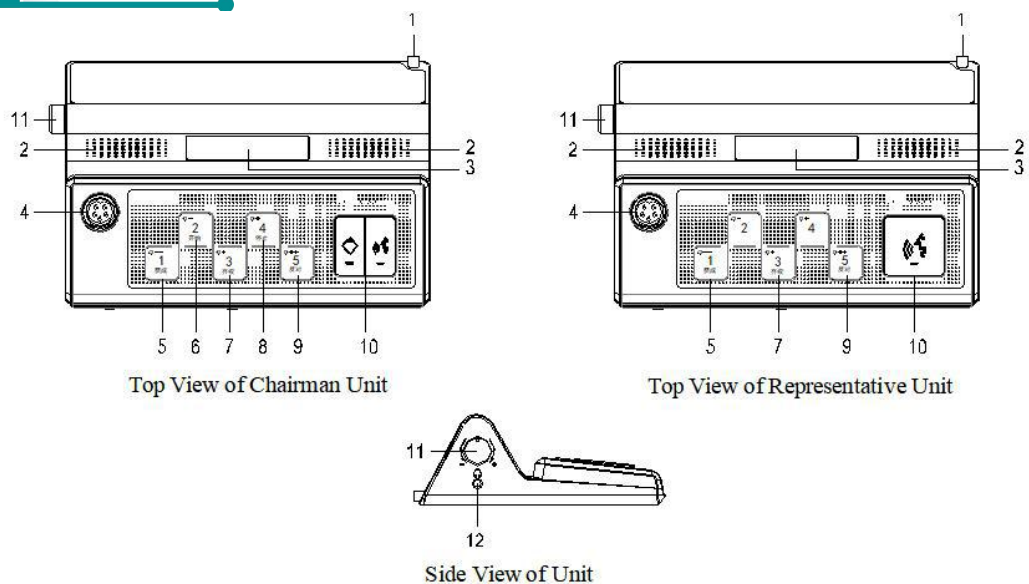
The Desktop Array Unit adopts high directivity, high sensitivity and high vocal resolution to achieve a good human voice transmission effect; With 3.5 headphone monitoring interface, it has camera tracking function, and D7101 series conference system to form a high-quality conference system all-round solution.

Features

- A conference speech mic integrating speaking and voting.
- Come with a 2m dedicated high-density cable and 1 RJ45 universal network plug.
- Electric cardioid directional capacitive pickup with two-color indicator light (red/green), red for speaking, and green for applying for speaking.
- The standard microphone rod is aluminum alloy one-piece square microphone rod, 186mm in length. Other options: gooseneck microphone rod, oval microphone rod, square microphone rod with analog backup, square microphone rod with dual mics and square microphone rod with dual mics and analog backup. See “Chapter 5 Accessories” below for details.
- The microphone rod can be dismantled during the adjournment for maintenance and storage.
- With internal magnetic high-fidelity speaker, which will be automatically muted when the microphone is turned on to avoid howling.
- With 3.5mm stereo headset jack connected to the headphone, with adjustable volume.
- With super strong anti-interference ability.
- With MIC button and 5 voting buttons, and chairman priority button for the chairman mic.
- With button check-in function.
- With a unique ID number for each conference mic.
- With a high-brightness 2.9" RGB LCD screen, it can display the following information in real time when the mic is working:

- The ID number of the conference mic, the number of mics applying for speaking, the voting results, the number of attendants who have checked in, and various operation information, etc.;
- The mic information in simplified Chinese or English.
- Equipped with a camera, it can realize automatic tracking after setting by the digital conference system host or PC control software.
- Equipped with the control host, the mic has a self-test function. The items to be tested include: buttons, MIC, LED indicator, LCD screen and built-in speaker.
- The mic is a passive device, powered by the system host or PoE switch, with input voltage of +48V.
- When the microphone is turned on, the speaker of this mic is automatically turned off to prevent the sound from returning.
- When the microphone is turned on, there is a beep sound, which can be set to ON or OFF.
- Through the host settings, the chairman mic has the priority function (can mute or turn off all delegate mics), and the podium mode (the chairman mic is always on).
- The chairman mic has the permission to approve the application for speaking from the delegate mic.
- The chairman mic can be turned on freely without being restricted by the number of speaking mics.
- The chairman mic has the priority function of fully controlling the conference order.
- The connection position of the chairman mic is not restricted.

Front / Rear Panel



1. RJ45 Network interface cable

The unit can realize functions such as power supply, audio transmission and control by connecting to the host or PoE +48V switch. The length of this cable is 2 meters, and it needs to be connected with an extension connector after it exceeds 2 meters (It is recommended to be no longer than 80 meters), as shown in the figure below.



2. Built-in Speaker Unit

- The volume used to output the sound of other units speaking and auxiliary input audio can be adjusted by this unit or by the conference head unit and the remote control software.

- The speaker is automatically muted when the microphone is turned on and the headset is plugged in.

3.2.9” High Brightness RGB LCD Display Screen

- Real-time display of the unit's ID number, operating status, voting results and operation information.

4. Microphone Connector

- Dismantle 5-pin screw microphone connector.

5. Button “1”

- The rating is performed in conjunction with the PC software, referring to the PC software user manual for details.

6. Button “2”

- Select the display language, voting function keys;
- Rating operations in conjunction with PC software.

7. Button “3”

- Microphone status view, voting operation, selection of display language operation function keys;
- Rating operations in conjunction with PC software.

8. Button “4”

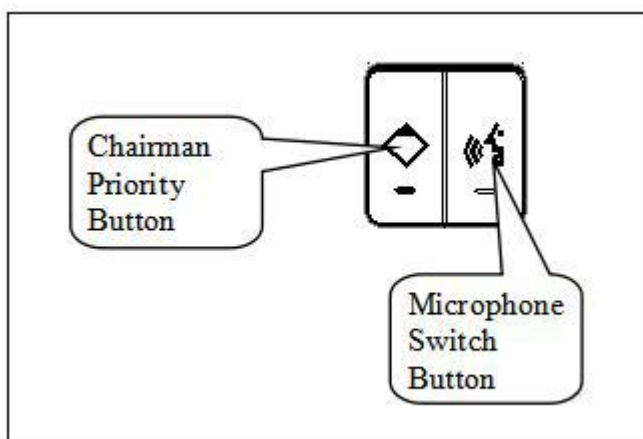
- Select the display language, voting operation, return to operation function buttons;
- End/Return Button for voting operation;
- Rating operations in conjunction with PC software.

9. Button “5”

- Voting end/return function button;
- Rating operations in conjunction with PC software.

10. Microphone Switch Indicator

- On/off button of unit microphone/button for speaking request and indicator light. The indicator lights up when the key is pressed to switch on the microphone; flashes when the button is pressed to make a speech request, when the unit is renumbered and when the camera tracking is positioned.
- Chairman unit microphone switch button and chairman priority function keys and indicator lights.



- The indicator lights up when switching on the microphone, flashes when the unit is renumbered and when the camera tracking is positioned.
- Press the Chairman priority button to mute or turn off the working unit.

11. Volume Adjustment Button

- Used to adjust the volume of headphone and speaker.

12. Headphone Jack

- Connect it with a 3.5mm plug.

Specifications

Model		D7125 / D7126
The structure type		Desktop
Effective frequency range of gain limitation ($\pm 3\text{dB}$)	Unit A to Unit B.	100Hz-16kHz
	Host to unit line	80Hz-18kHz
	Unit to host line output	100Hz-16kHz
Speaker power		1.5W
Static power consumption		<6W
Maximum power consumption:		8W
Signal-to-noise ratio		>70dB
Harmonic distortion		<0.5%
Headphone output		9dBu, 8-32 Ω , 3.5mm
Operating Power Supply(Battery Pack)		The host +48V power supply or +48V PoE switch power supply
Unit interface		Network interface
Microphone transmitter type		Electrocardiographic capacitive type
	Sensitivity	-30dBV/pa
	input resistance	2k Ω
	Equivalent noise	20dB(SPL)
	Maximum sound pressure level	125dB(THD<3%)
Package dimensions:		515×280×124mm (2pcs)
Machine Dimensions (W × D × H)		135×210×53mm
Gross weight		2.1kg
Net Weight		0.65kg