

DX6 LED Video Controller



Description

The DX6 product is a professional control system and video processing device for LED display engineering applications; With rich video signal interface, it supports DVI, HDMI, SDI and other high-definition digital interface, seamless switching between multiple signals; Support broadcast scale and multi-screen display. This product has 6 gigabit network ports, and a single machine can support the LED display screen with the maximum width of 8192 pixels or the maximum height of 4096 pixels. At the same time, the device also has a series of rich practical functions, can achieve flexible screen control and high-quality image display, and enjoys significant advantages in the field of LED display engineering application.

Features

- Support rich digital signal interfaces, including 2×DVI, 1×HDMI and 1×SDI.
- The maximum band load is 3.9 million pixels, with maximum 8192 pixels in width or maximum 4096 pixels in height.
- Maximum input resolution: 1920×1200@60Hz, support arbitrary resolution settings.
- 6 Gigabit Ethernet output ports, support single or dual redundant backups.
- Support arbitrary switching, cropping, stitching, and scaling of video signals.
- Support 3-screen display, and the position and size can be adjusted freely.
- Support independent audio input
- Support RS232 serial port protocol control
- Support HDCP high bandwidth digital content protection technology
- Brightness and color temperature adjustment are available.
- Support better gray level at low brightness, can effectively maintain the complete display of grey scale under low brightness.

Specifications

Model		DX6
Device Specifications		
Chassis Specifications		1U Standard Chassis
Electrical Specification	Power	AC100~240V, 50/60Hz
	Power	20W
Working Environment	Temperature	-20°C~70°C / -4°F~158°F

Storage Environment	Humidity	0%RH~80%RH, no condensation
	Temperature	-30℃~80℃/-22°F~176°F
Device Specifications	Humidity	0%RH~90%RH, no condensation
	Dimension	W×H×L/482.6mm×44.0mm×305mm/19"×1.7"×12"
	Net Weight	2.3kg / 5.071lbs
Package Specifications	Dimension	W×H×L/545mm×105mm×390mm/21.5"×4.1"×15.4"
	Net Weight	0.7Kg / 1.54lbs

Technical Specifications

DVI

Standard	VESA Standard, support HDCP 1.4		
Input	Type	Max. Input Resolution	
	8 Bit	RGB444	
		YCbCr444	1920×1200@60Hz
		YCbCr422	
Frame Rate	23.98/24/25/29.97/30/50/59.97/60Hz		

HDMI 1.4

Standard	HDMI 1.4, support HDCP1.4		
Input	Type	Max. Input Resolution	
	8 Bit	RGB444	
		YCbCr444	1920×1200@60Hz
		YCbCr422	
Frame Rate	23.98/24/25/29.97/30/50/59.97/60Hz		

SDI

Standard	3G SDI Standard
Input:	Support 1080p/1080i, 720p

Front / Rear Panel



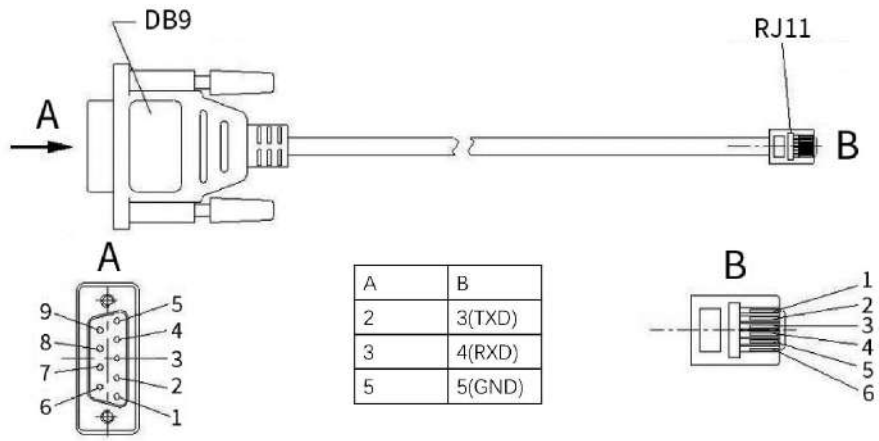
No.	Name	Function
-----	------	----------

1	LCD	Display the operation menu and system information
2	Knob	Select an item or adjust the parameter, press the knob to confirm your selection or adjustment
3	Function Keys	OK: Confirm Button ESC: Exit the current operation or items Bright: Brightness items Part: Crop Screen Mode: Select the image output mode
4	Signal Input Source Selection Key	DVI 1 / DVI 2 / HDMI /SDI: Set the video input source
5	Power Switch	Device Power Supply



Input Interface		
1	DVI	2× DVI Input Interface
2	HDMI	1× HDMI, 1.4 Input Interface
3	SDI	1× SDI Input, support 3G-SDI standard
4	AUDIO	Audio input, used with multi-function card (optional)
Output Interface		
1	Port1-8	RJ45, 6-way 1G network port output
Control Interface		
1	USB IN	USB input, connected to PC, used for debugging parameters
2	USB OUT	USB output, used for cascade between X6
3	RS232	RJ11(6P6C) interface*, can be connected to central control system
Power Interface		
1	AC 100~240V	AC power interface with power protection device

The schematic diagram of connecting *RJ11(6P6C) to DB9 female seat is as follows:



Product Dimension

