

## D6284

### HD Conference Camera



#### Description

This product is a high-definition IP conference camera with 1/2.8-inch 2.14-megapixel HD CMOS sensor. With excellent features and advanced process technology and algorithm, the conference camera restores the image color authentically, which providing professional and high-definition image effects for conference system. With H.265/H.264 network video encoding, it offers a smooth and clear image in low bandwidth. It can be mounted on desktops, walls and ceilings.

#### Features

- 1/2.8-inch 2.14-megapixel HD CMOS sensor.
- Optical zoom lens available in multiple models: 12x and 20x.
- Support SDI, HDMI, network and USB3.0 video output simultaneously.
- Support UVC and UAC protocols for USB3.0.
- Support up to 1080P60 HD video output.
- Support H.265 and H.264 network video encoding.
- Support dual streaming and multi-level video quality configuration.
- Support NDI protocol (optional).
- Support 1 audio input.
- With RS-232 IN/OUT, support daisy chain.
- Support multiple protocols and various control interfaces for daisy-chain networking.
- Precision drive system, with accurate positioning and smooth operation.
- With multi-function IR remote controller.
- With built-in Chinese and English operation menu.
- With intelligent exposure to effectively solve the impact of projections, TVs and other equipment on shooting people.
- Support three mounting modes, including desktop, wall-mounted and ceiling-mounted.

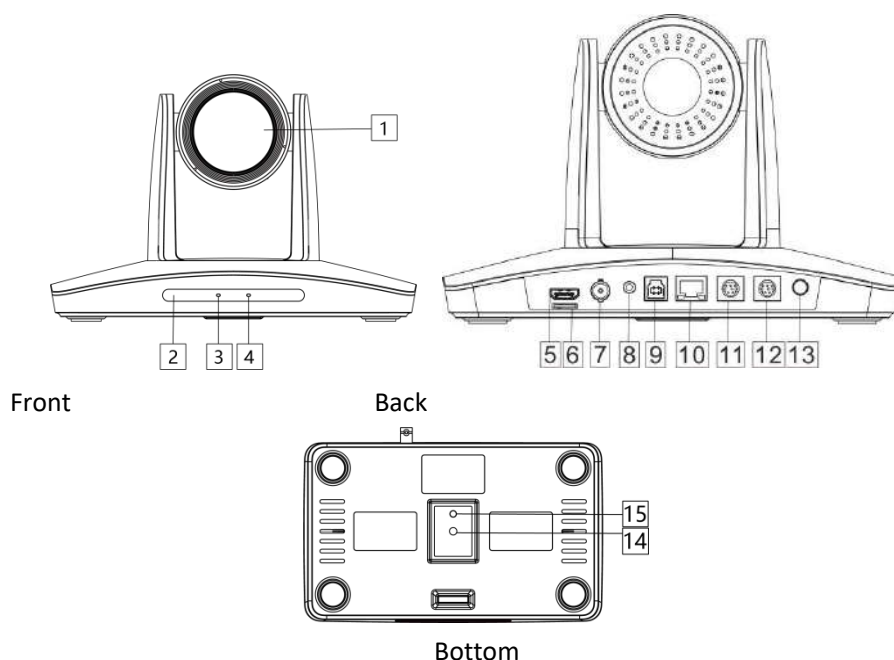
## Specifications

Model	D6284	
Image Sensor	1/2.8-inch CMOS, 2.14 megapixels	
Focal Length	f=4.7mm~94mm	f=3.9mm~46.8mm
Iris	F1.6~F3.5	F1.6~F2.8
Field of View	59.5°~2.9°	72.5°~6.3°
Optical Zoom	20x	12x
Focusing System	Auto, Manual, One-Push, PTZ-Triggered	
Gain	Auto, Manual	
White Balance	Auto, Manual, One-Push, Auto Track, Static Color Temperature	
Exposure Control	Auto, Manual, Shutter Priority, Iris Priority, Brightness Priority	
Backlight Compensation	Support	
Wide Dynamic	Support	
Digital Noise Reduction	2D/3D	
S/N Ratio	≥50dB	
Menu	English/Chinese	
PTZ Parameters		
Horizontal Range	-170°~+170°	
Vertical Range	-30°~+90°	
Horizontal Rotation Speed	0.1°/s~120°/s	
Vertical Rotation Speed	0.1°/s~80°/s	
Inverted Installation	Support	
Image Flip	Support	
Number of Presets	256 presets	
Interface		
HDMI	1 HDMI Video resolutions 1080P60/P50/P30/P25, 720P60/P50.	
Network	1 RJ-45, 10M/100M adaptive Ethernet port, optional POE. 1) Video resolution up to 1080P60. 2) Video format supports H.264 and H.265. 3) Network protocols ONVIF, RTSP, RTMP, SRT, TCP, UDP. 4) Audio compression AAC. 5) Support multiple streams. 6) Support NDI (optional).	
USB	1 USB3.0 1) UVC supports the UVC1.1 protocol. 2) UVC video format supports H.264/H.256/MJPEG, video resolution 1080P60/P50/P30/P25, 720P60/P50/P30/P25, 480P60/P50/P30/P25, 360P60/P50/P30/P25. UVC video format supports YUY2/NV12, video resolution 1080P30/P25, 720P30/P25, 480P30/P25, 360P30/P25. 3) UAC audio format PCM.	
3G-SDI	1 3G-SDI, video resolution 1080P60/P50/P30/P25, 720P60/P50.	
Audio Interface	1 LINE IN, 3.5mm audio interface.	
Control Interface	1 RS-232 IN, 1 RS-232 OUT / RS-485.	
Storage Interface	Up to 256G	

Power Connector	DC12V
General Specifications	
Control Protocol	VISCA and support daisy chain / PELCO-P / PELCO-D.
Address Range	1-7
Power Consumption	<15W
Operating Environment	Operating temperature 0~40°C
Operating Humidity	10%RH~90 %RH
Storage Environment	-20°C~40°C
Storage Humidity	10%RH~95 %RH
Dimensions (L×W×H)	242×145×163mm
Weight	≤1.2kg
Color	Silver gray

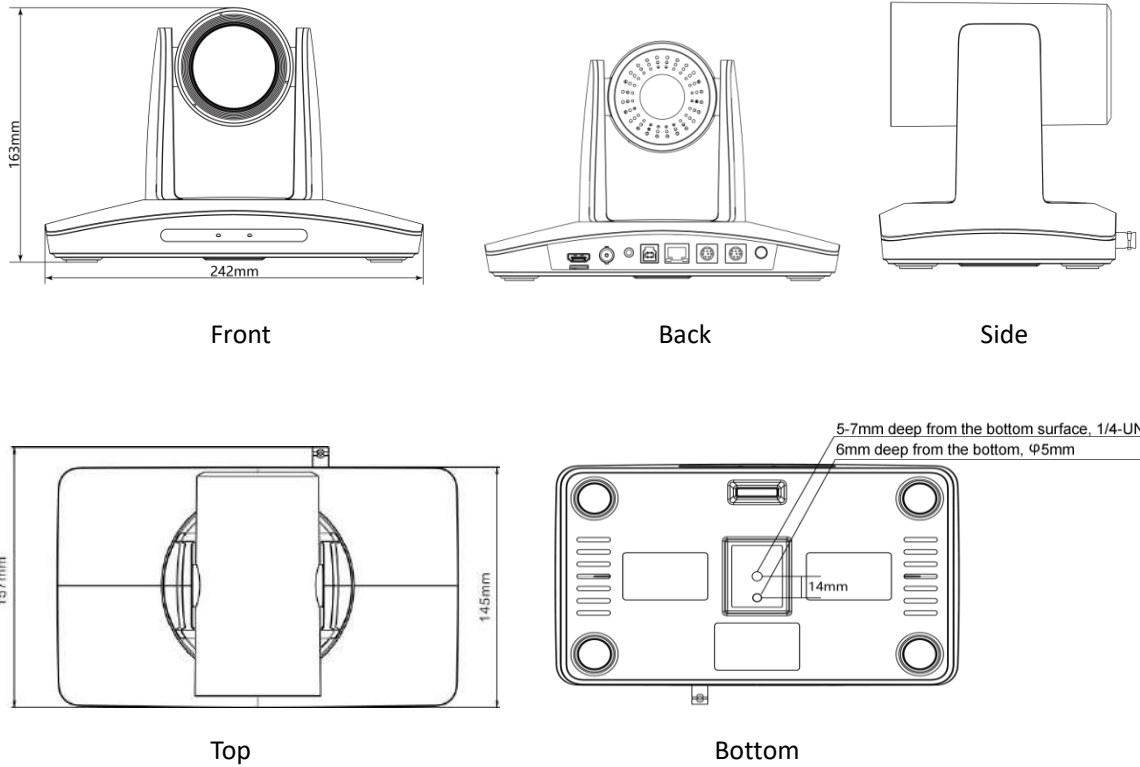
## Front / Rear Panel

### Main Components and Control Interfaces



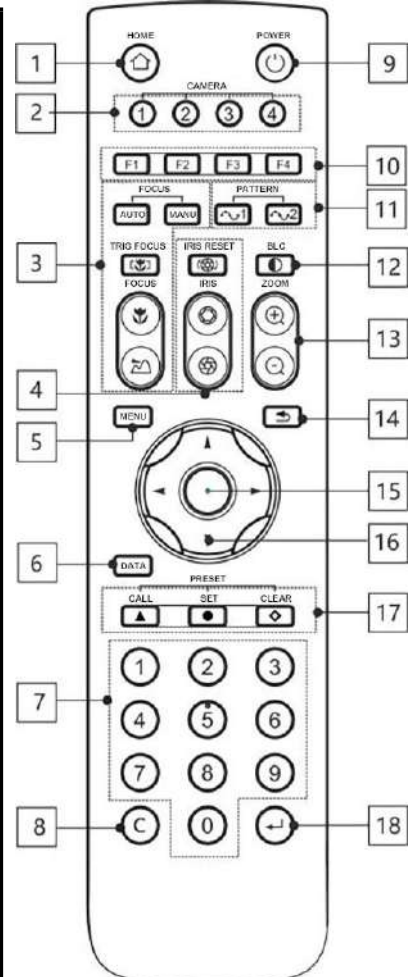
No.	Interface/Component	No.	Interface/Component
1	Camera Module	9	USB3.0
2	Infrared Receiving Sensor	10	LAN
3	Power Indicator	11	RS232-IN
4	Communication Indicator	12	RS232-OUT
5	HDMI	13	Power Supply (DC12V)
6	TF Card Slot	14	Mounting Hole (5-7mm deep, 1/4-20UNC)
7	3G-SDI	15	Positioning Hole (6mm deep, φ5mm)
8	Audio Input		

# Installation and Connection



# Remote Controller

No.	Button	Functions
1	Home Button	Press the button to move the PTZ back to the initial position.
2	Camera Selection Button	Press the button corresponding to the camera that needs to be operated with the remote controller to toggle and control 4 cameras, for example, the camera with camera address 1 corresponds to the "Camera Selection 1" on the remote controller, and so on.
3	Focus Button	Press the "Auto" button to adjust the focus automatically. To manually adjust the camera focus, press the "Manual" button to change the camera to Manual Focus mode, and use the "Near Focus" and "Far Focus" buttons to adjust. "Single Focus", each time you press the button, the camera focuses automatically once and then changes to manual focus mode.
4	Iris Button	Press the "Iris Reset" button to reset the iris (image brightness) to the default value. You can also manually adjust the iris value by pressing the "Iris Increase (brighter image)" button and "Iris Decrease (darker image)" button.
5	Menu Button	Press the "Menu" button to enter/exit the camera menu.
6	Data Button	The button is reserved and has no function.
7	Numeric Buttons	Press and hold a numeric button (0-9) on the remote controller to set a preset point, and briefly press to access a preset point.
8	Delete Button	Correct any character input errors.
9	Power On/Off Button	When the camera is connected to an electrical outlet, press this button to turn the camera on/off (valid in non-menu operation state).



10	Reserved Button (F1, F2, F3, F4)	The button is reserved and has no function.
11	Scan Track Button	The button is reserved and has no function.
12	Backlight Compensation Button	This button is used to turn the backlight compensation on/off.
13	Zoom Button	Used to manually adjust the focal length by pressing the "⊕ - Zoom In" button and "⊖ - Zoom Out" button.
14	Back Button	Press the button "↶" to return to the upper menu.
15	OK Button	Outside the menu: Press the OK button to switch the horizontal/vertical control speed of the camera. In the menu: After selecting an option, press the OK button to confirm the entry to the menu.
16	Direction Button	Outside the menu: Press the arrow buttons to pan and tilt. In the menu, press the ▲ or ▼ button to select a menu item, or to change setup options.
17	Preset Point Action Button	The "▲ - Recall" button is reserved and has no function. The "● - Set" button is reserved and has no function. The "◇ - Delete" button, with the operation method as follows: first press the "◇" button, and enter the number of the preset point to be cleared via the numeric buttons. "Recall" action: Press the corresponding numeric button. "Set" action: Press and hold the corresponding numeric button for more than 3 seconds (set the preset point to 0-9 via the remote controller).
18	Enter Button	Used to end and confirm the numeric input.