

## HD8087

### Digital Array Omnidirectional Microphone



#### Description

The product is a digital array microphone with 8-meter long-distance sound pickup, and can stably realize automatic voice tracking and full-duplex interaction. The product is small and exquisite, with 32kHz wideband sampling and built-in intelligent audio algorithms such as automatic noise reduction, echo cancellation, and automatic gain. It is plug and play, configuration-free and debugging-free, easy to use.

#### Features

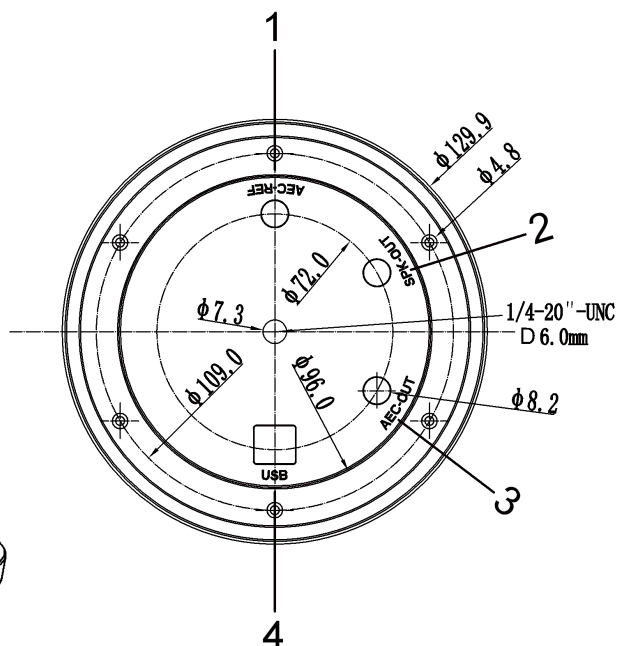
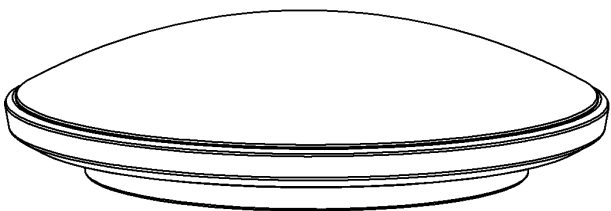
- Digital Array Microphone, Long Distance Voice Pickup: Digital array microphone, 8-meter distance voice pickup. A hands-free lecture and presentation solution.
- Intelligent Voice Tracking: Adaptive blind beamforming technology provides adaptability to different sound environments. With speech reinforcement, the microphone minimizes interference and keeps speech clear.
- Multiple Audio Algorithms, High Quality of Sound: Using proprietary technologies including intelligent noise reduction, echo cancellation and reverberation suppression to ensure clear sound quality and comfortable communication. Less requirements of the classroom decoration. Supports full duplex communication.
- Simply Installation, Plug and Play: Using standard USB2.0 and 3.5 mm audio interface, zero configuration design, plug and play. Simple system and compact appearance, easy to install and maintain. Supports dual-mode (digital, analog) output.
- Available in Two Colors, Blends into Different Environments: It adopts the technology of hot laminating and wrapping cloth. With natural visual effect, white design adapts to white walls of classrooms, and black design blends into modern conference rooms.

## Specifications

Model	HD8087
<b>Audio Parameters</b>	
Microphone Type	Digital Array Microphone
Array Microphone	Built-in 7 mics to form a circular array microphone
Sensitivity	-26 dBFS
Signal Noise to Ratio	> 80 dB(A)
Frequency Response	20Hz - 16kHz
Sampling Rate	32K sampling, high resolution broadband audio
Pickup Range	8m
USB Protocol	Support UAC
Automatic Echo Cancellation (AEC)	Support
Automatic Noise Suppression (ANS)	Support
Automatic Gain Control (AGC)	Support
<b>Hardware Interface</b>	
Audio Input	1 x 3.5mm line in
Audio Output	2 x 3.5mm line out
USB Interface	1 x USB audio interface
<b>General Specification</b>	
Power Input	USB 5V
Dimensions	Φ 130mm x H 33mm

## Front / Rear Panel

### Appearance and Interface



No.	Name	Function
1	AEC-REF	Signal input interface, input remote audio signal.
2	SPK-OUT	Audio signal output interface, output to the speaker.
3	AEC-OUT	Signal output interface, output to remote equipment.
4	USB	USB interface is used to connect host and charge the microphone.

## Product Installation

